



NWFD-12P-XP

12MP 360° Fisheye Network Camera



Key Features:

- 1/1.7" Progressive Scan CMOS
- Fixed 1.65mm Lens
- 25/30fps@12MP(4000*3000)
- Intelligent Video Analytics (IVA)
- Low bitrate, Excellent low light performance
- 120dB+ WDR, 3D DNR
- Camera de-warp / Camera PTZ / Panoramic
- ROI, Defog, HLC, Corridor mode, DIS
- IP67

Product Overview

Infinity Panoramic Cameras support the latest H.265 encoding technology, bringing high efficient video compression and maintaining quality. It saves network bandwidth and storage, whilst being energy-saving design to enhance the surveillance system. The range has world-leading features such as Smart IR technology, PoE and intelligent video analytics techniques. Infinity cameras produce excellent image quality and intelligent and efficient event reminders. The camera is IP67 weatherproof.

Features

Wide Dynamic Range

Embedded with industry leading wide dynamic range (WDR) technology, vivid pictures are achieved in even the most intense contrast lighting conditions. For applications with both bright and low lighting conditions that change quickly, true WDR (120dB) optimizes both the bright and dark areas of a scene at the same time to provide usable video.

Intelligent Video Analytics (IVA)

With built-in intelligent video analytics, the camera has the ability to detect and analyze moving objects for improved video surveillance. The camera provides optional standard intelligence at the edge allowing detection of Perimeter, Single Virtual Fences, Double Virtual Fences, Loitering, Multiple Loiterers, Objects Abandoned, Objects Removed, Abnormal Speed, Converse, Illegal Parking, Bad Signal.

Environmental

With a temperature range of -40 °C to +60 ° the camera is designed for extreme temperature environments. Subjected and certified to rigorous dust and water immersion tests, the IP67 rating makes it suitable for demanding outdoor applications.

Smart Encode (H.265+)

Deliver high quality video without straining the network, Smart Encode H.265+ is the optimized implementation of H.265. The Smart H.265+ encoding technology includes a scene adaptive encoding strategy, dynamic GOP, dynamic ROI, flexible multi-frame reference structure and intelligent noise reduction, providing saving of up to 70% of bandwidth and storage when compared with standard H.265.

HEVC (H.265)

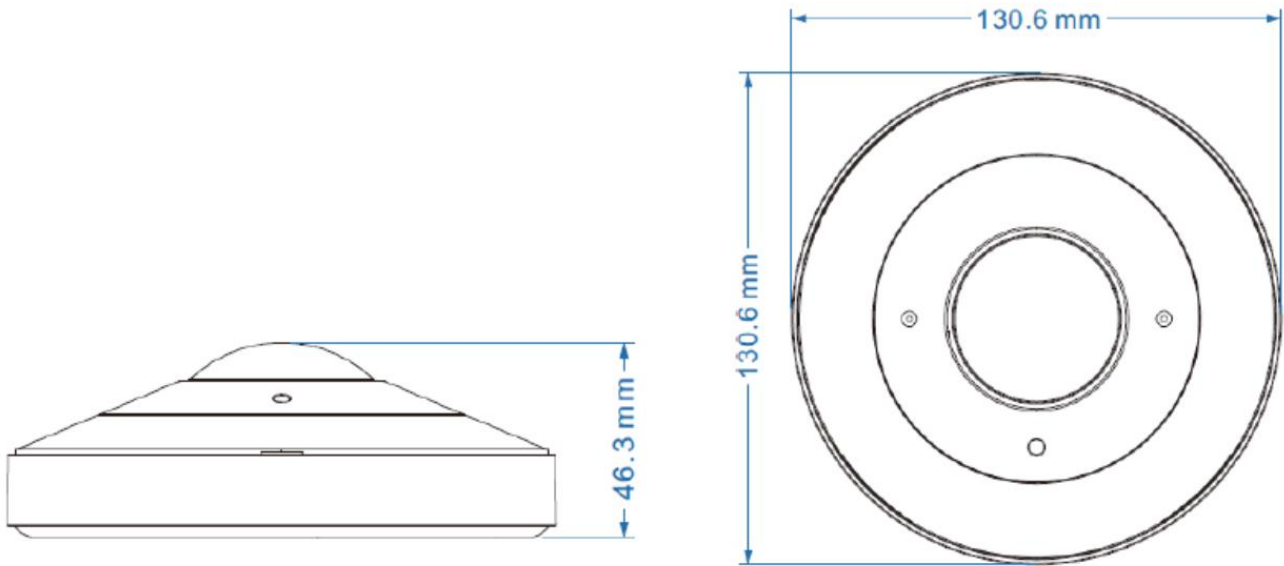
H.265 ITU-T VCEG is a new video coding standard. H.265 Following standard developed around the existing video coding standard H.264, some retain the original technology, while some of the relevant technology to improve the new technology uses advanced technology to improve the relationship between the code stream, encoding quality, and the delay between algorithm complexity, optimize settings specific contents include: Improve compression efficiency, improve the robustness and error recovery capabilities, real-time to reduce the delay, reduce channel acquisition time and a random access delay, reduce complexity.

Technical Specification

Camera	
Image Sensor	1/1.7" Progressive Scan CMOS
Effective Pixels	4000(H)x3000(V)
Scanning System	Progressive
Electronic Shutter	1/5-1/20000s
Min. illumination	Color:0.009Lux@(F1.2,AGC ON) , B/W:0Lux@(IR LED ON)
S/N Ratio	55dB
IR Range	Up to 30m
IR On/Off Control	Auto/ Manual
IR LEDs	6pcs
Pan/Tilt/Rotation Range	N/A
Lens	
Lens Type	Fixed
Iris	Fixed Iris
Focal Length	1.65mm
F Number	F2.0
Angle of View	360° Ceiling Mount / 180° Wall Mount
Focus Control	Fixed
Modes	Fisheye / Panoramic / Fisheye + 4x PTZ / Fisheye + Panoramic + 3x PTZ
Video	
Compression	H.265,H.265,MJPEG
Max. Resolution	12MP(4000x3000)
Streaming Capability	Up to 5 streams
Stream / Frame Rate	Main Streams: 4000x3000 (Panoramic) / 3000x3000 (Fisheye) / 3000x3000 (Fisheye + 4x PTZ) / 3000x3000 (Fisheye + Panoramic + 3x PTZ) @25/30fps Sub Streams: 1280x480/VGA/CIF/QVGA @ 25/30fps Third Stream: VGA/QVGA @ 25/30fps
Bit Rate Control	CBR/VBR
Bit Rate	128kbps~16000kbps
Day/Night	ICR
Image Enhancement	HLC / Defog / 120dB+ WDR / AGC / 3D DNR
White Balance	Support
Image Stabilize	Support
Smart IR	Support Smart IR 2.0
Features	Region of Interest (ROI) / Saturation / Brightness / Hue / Contrast / Sharpness / Image Flip / Mirror

Region of Interest	Support
Motion Detection	Support
Privacy Masking	Support
Audio	
Compression	G.711, RAW_PCM
Bit Rate	64Kbps (G.711)
Network	
Protocols:	IPv4/IPv6, 802.1x, HTTP, HTTPS, TCP/IP, UDP/IP, RTSP, DHCP, NTP, RTCP/RTP, PPPoE, SMTP, DNS, UPnP, FTP, ARP, SNMP
Interoperability	ONVIF
Streaming Method	Unicast
Max. User Access	10 Users
Web Viewer	<IE11, Chrome, Firefox
Management Software	Infinity VMS Lite / VMS Free
Smart Phone	IOS, Android
Intelligence	
IVS	Perimeter, Single/Double Virtual Fences, Single Loiter, Multi Loiterer, Object Abandoned, Object Removed, Abnormal Speed, Converse, Illegal Parking, Signal Bad
Interface	
Ethernet	1 Ethernet (10/100 Base-T) RJ-45 Connector
Audio Interface	1x Input, 1x Output, 2x built-in Microphone
Alarm	1x Input, 1x Output
RS485	Yes, half duplex
BNC Output	1x BNC CVBS
Reset Button	Support
Edge Storage	Mini SD Card Slot 256GB Support
Electrical	
Power Supply	DC12V/POE/AC24V
Power Consumption	10.5W(IR LED OFF), 11W (IR LED ON)
Operating Temperature	-40°C ~ 60°C
Operating Humidity	Less than 90% RH
Ingress Protection	IP67
Certifications	CE / FCC / KC / UKCA / 3C BIS / RoHS / WEEE / REACH / IEC EN 62471
Dimensions	φ 130.6mm × 46.3mm
Net Weight	520g

Dimensions(mm)



Accessories

Optional:



NWP-WB
Wall Mount



NWP-PM
Pendant Mount



NWP-JB
Junction Box



NWP-CM
Corner Mount



NWP-PLM
Pole Mount