



# NWM-32P-XP

## 32MP Multi-sensor Panoramic Network Camera



### Key Features:

- 4x Separate 1/1.8" 8MP Progressive Scan CMOS
- 7680(H) x 4320(V) Resolution
- 25fps/30fps @ 32MP
- Triple Stream Output
- 720° Panoramic View
- Picture Stitching, Excellent low light performance
- WDR, 3D DNR, Defog, Image Dewarping
- ONVIF Support for use with third party systems
- IP67

## Product Overview

**See more with less!** Infinity Panoramic Cameras allow multi mega pixel images to be stitched together to generate super wide panoramic images in real-time in super crisp detail. The cameras support the latest H.265 encoding technology, bringing high efficient video compression and maintaining quality. It saves network bandwidth and storage, whilst being energy-saving design to enhance the surveillance system.

## Features

### Image Stitching

Enjoy 32MP resolution images with 720° Panoramic Views so you truly can *see more with less* thanks to Infinity.

### Environmental

With a temperature range of -30 °C to +60 ° the camera is designed for extreme temperature environments. Subjected and certified to rigorous dust and water immersion tests, the IP67 rating makes it suitable for demanding outdoor applications.

### Smart Encode (H.265+)

Deliver high quality video without straining the network, Smart Encode H.265+ is the optimized implementation of H.265. The Smart H.265+ encoding technology includes a scene adaptive encoding strategy, dynamic GOP, dynamic ROI, flexible multi-frame reference structure and intelligent noise reduction, providing saving of up to 70% of bandwidth and storage when compared with standard H.265.

### HEVC (H.265)

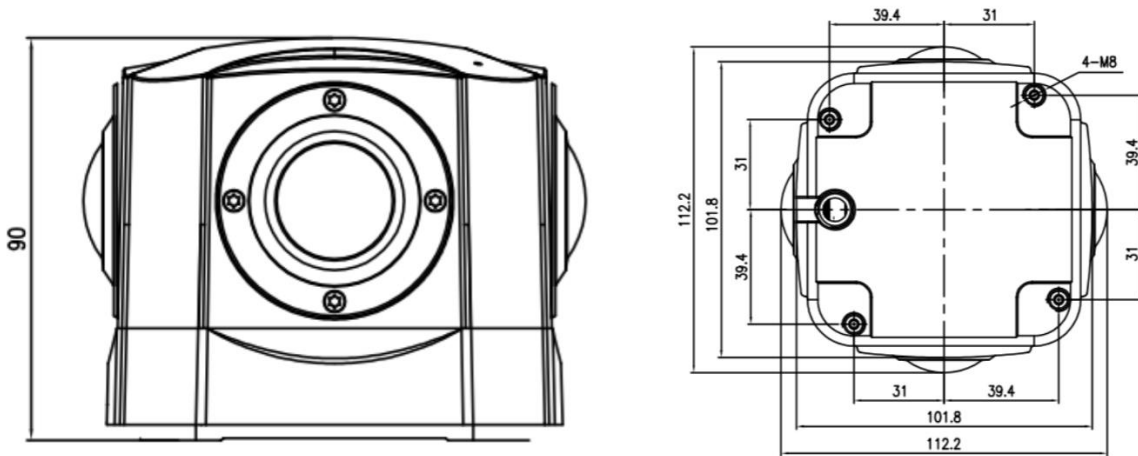
H.265 ITU-T VCEG is a new video coding standard. H.265 Following standard developed around the existing video coding standard H.264, some retain the original technology, while some of the relevant technology to improve the new technology uses advanced technology to improve the relationship between the code stream, encoding quality, and the delay between algorithm complexity, optimize settings specific contents include: Improve compression efficiency, improve the robustness and error recovery capabilities, real-time to reduce the delay, reduce channel acquisition time and a random access delay, reduce complexity.

# Technical Specification

Camera	
Image Sensor	Four 1/1.9" 8MP Progressive Scan CMOS Sensors
Effective Pixels	7680(H)×4320(V)
Scanning System	Progressive
Electronic Shutter	1/5-1/20000s
Min. illumination	Color:0.002Lux@(F1.2,AGC ON) , B/W:0002Lux@(IR LED ON)
S/N Ratio	55dB
Resolution	32MP (4x 8MP)
View	Panoramic 720°
IR LEDs	N/A
Pan/Tilt/Rotation Range	N/A
Lens	
Lens Type	Fixed
Focal Length	2.2mm
Angle of View	360° x 360°
Panoramic	Image Stitching
Panoramic View	Image Dewarping
Focus Control	Fixed
Close Focus Distance	N/A
Video	
Compression	H.265,H.265,MJPEG
Max. Resolution	32MP(7680×4320)
Streaming Capability	3 Streams
Stream / Frame Rate	Stream1: 7680×4320/5760×3240 @25/30fps Stream2: 2560×1440/1920×1080/D1 @25/30fps Stream3: 1280×720/640×360 @25/30fps
Bit Rate Control	CBR/VBR
Bit Rate	Stream1: 500kbps~16000kbps Stream2: 500kbps~12000kbps Stream3: 100kbps~8000kbps
Day/Night	Colour
Image Enhancement	HLC / Defog / WDR
White Balance	Auto/Manual
Gain Control	Auto/Manual
Noise Reduction	2D/3D DNR
Image Stabilize	Support
Video Mode	Full Screen Stretched / 360° Panorama / 'Crystal Ball' / Asteroid / Auto
Advanced Features	Image Mirror, Region of Interest, Privacy Masks, Motion Detection

Audio	
Compression	G.711, RAW_PCM
Bit Rate	64Kbps (G.711), 128kbps (RAW_PCM)
Network	
Protocols:	IPv4/IPv6, 802.1x, HTTP, HTTPS, TCP/IP, UDP/IP, RTSP, DHCP, NTP, RTCP/RTP, PPPoE, SMTP, DNS, UPnP, FTP, ARP, SNMP
Interoperability	ONVIF
Streaming Method	Unicast
Max. User Access	10 Users
Web Viewer	<IE11, Chrome, Firefox
Management Software	Infinity IMS
Smart Phone	IOS, Android
Interface	
Ethernet	1 Ethernet (10/100/1000 Base-T) RJ-45 Connector
Audio Interface	1x Input, 1x Output, 2x Built-in Microphone
Alarm	1x Input, 1x Output
Reset Button	Support
Electrical	
Power Supply	POE+ (25/30W ) DC12V
Power Consumption	≤15W
Operating Temperature	-30°C ~ 60°C
Operating Humidity	Less than 90% RH
Ingress Protection	IP67, 4000V Lightning Protection
Certifications	CE / FCC
Casing	Metal
Dimensions	112mm x 112mm x 90mm
Net Weight	1250g

## Dimensions(mm)



## Accessories

Optional: