



NWMD-2F-iXP

2MP Smart IR A.I Analytics Mini Dome Network Camera



Key Features:

- 1/3" Progressive Scan CMOS
- Fixed 2.8mm or 4mm Lens
- 25fps/30fps@2MP(1920*1080)
- Triple Stream Output
- Smart IR 2.0 Up to 15m
- Low bitrate, Excellent low light performance
- 120dB WDR, 3D DNR
- Intelligent Video Analytics (IVA)
- ROI, Defog, HLC, Corridor mode, DIS
- IP67

Product Overview

Infinity Network Cameras support the latest H.265 encoding technology, bringing high efficient video compression and maintaining quality. It saves network bandwidth and storage, whilst being energy-saving design to enhance the surveillance system. Infinity cameras produce excellent image quality and intelligent and efficient event reminders.

Features

Wide Dynamic Range

Embedded with industry leading wide dynamic range (WDR) technology, vivid pictures are achieved in even the most intense contrast lighting conditions. For applications with both bright and low lighting conditions that change quickly, true WDR (120dB) optimizes both the bright and dark areas of a scene at the same time to provide usable video.

Intelligent Video Analytics (IVA)

With built-in intelligent video analytics, the camera has the ability to detect and analyze moving objects for improved video surveillance. The camera provides optional standard intelligence at the edge allowing detection of Perimeter, Single Virtual Fences, Double Virtual Fences, Loitering, Multiple Loiterers, Objects Abandoned, Objects Removed, Abnormal Speed, Converse, Illegal Parking, Bad Signal.

Environmental

With a temperature range of -40 °C to +60 ° the camera is designed for extreme temperature environments. Subjected and certified to rigorous dust and water immersion tests, the IP67 rating makes it suitable for demanding outdoor applications.

HEVC (H.265)

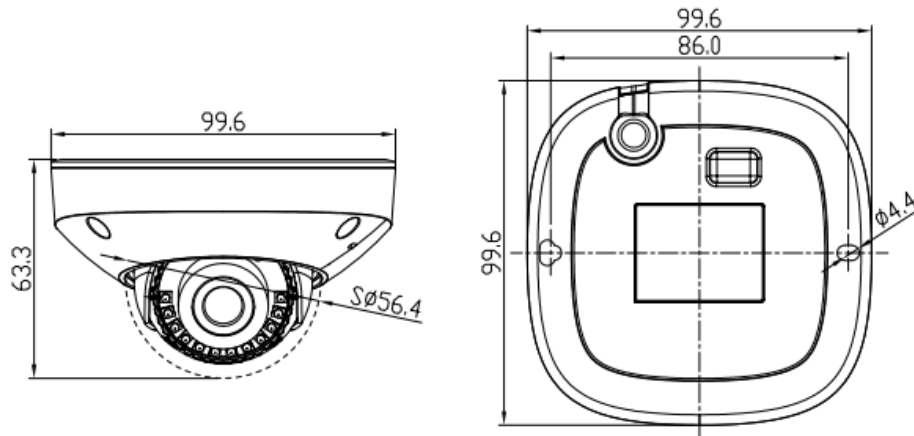
H.265 ITU-T VCEG is a new video coding standard. H.265 Following standard developed around the existing video coding standard H.264, some retain the original technology, while some of the relevant technology to improve the new technology uses advanced technology to improve the relationship between the code stream, encoding quality, and the delay between algorithm complexity, optimize settings specific contents include: Improve compression efficiency, improve the robustness and error recovery capabilities, real-time to reduce the delay, reduce channel acquisition time and a random access delay, reduce complexity.

Technical Specification

Camera	
Image Sensor	1/3" Progressive Scan CMOS
Effective Pixels	1920(H)×1080(V)
Scanning System	Progressive
Electronic Shutter	1/5-1/20000s
Min. illumination	Color:0.01Lux@(F1.2,AGC ON) , B/W:0Lux@(IR LED ON)
S/N Ratio	55dB
IR Range	Up to 15m
IR On/Off Control	Auto/ Manual
IR LEDs	12pcs
Pan/Tilt/Rotation Range	Pan: ±45°, Tilt: 0°~78°, Rotation: 0°~360°
Lens	
Lens Type	Fixed
Iris	Fixed Iris
Focal Length	2.8mm or 4mm
F Number	F1.6
Angle of View	100°
Focus Control	Fixed
Close Focus Distance	0.5m
Video	
Compression	H.265,H.265,MJPEG
Max. Resolution	2MP(1920×1080)
Streaming Capability	3 Streams
Stream / Frame Rate	Stream1: 1920×1080/1280×720 @25/30fps Stream2: D1/VGA/640×360/CIF/QVGA @25/30fps Stream3: VGA/CIF/QVGA @25/30fps
Bit Rate Control	CBR/VBR
Bit Rate	Stream1: 500kbps~12000kbps Stream2: 100kbps~6000kbps Stream3: 100kbps~3000kbps
Day/Night	ICR
Image Enhancement	HLC / Defog / WDR (120dB)
White Balance	Support
Gain Control	Auto/Manual
Noise Reduction	2D/3D DNR
Image Stabilize	Support
Smart IR	Support Smart IR 2.0
Mirror	Support

Region of Interest	Support
Motion Detection	Support
Privacy Masking	Support
Audio	
Compression	G.711, RAW_PCM
Bit Rate	8Kbps, 16Kbps, 64Kbps
Network	
Protocols:	IPv4/IPv6, 802.1x, HTTP, HTTPS, TCP/IP, UDP/IP, RTSP, DHCP, NTP, RTCP/RTP, PPPoE, SMTP, DNS, UPnP, FTP, ARP, SNMP
Interoperability	ONVIF
Streaming Method	Unicast
Max. User Access	10 Users
Web Viewer	<IE11, Chrome, Firefox
Management Software	Infinity IMS
Smart Phone	IOS, Android
Intelligence	
IVS	Perimeter, Single/Double Virtual Fences, Single Loiter, Multi Loiterer, Object Abandoned, Object Removed, Abnormal Speed, Converse, Illegal Parking, Signal Bad
Interface	
Ethernet	1 Ethernet (10/100 Base-T) RJ-45 Connector
Audio Interface	1x Input / 1x Output
Alarm	1x Input / 1x Output
RS485	N/A
Built-in Mic	Support
Reset Button	Support
Edge Storage	Micro SDXC Slot, up to 256GB SD Card
Electrical	
Power Supply	DC12V/POE
Power Consumption	4W(IR LED OFF), 6W (IR LED ON)
Operating Temperature	-40°C ~ 60°C
Operating Humidity	Less than 90% RH
Ingress Protection	IP67
Certifications	CE / FCC
Casing	Metal
Dimensions	100×100×65mm
Net Weight	370g

Dimensions(mm)



Accessories

Optional:



NWD-JBF
Junction Box



NWD-WBF
Wall Mount