



# NWPU-240-iXP

2MP 40x Zoom 300m IR A.I Intelligent Analytics Network PTZ Camera



## Key Features:

- 1/2.8" Progressive Scan CMOS
- 40x Optical Zoom; 16x Digital Zoom
- 25fps/30fps@2MP(1920\*1080)
- Multi Stream Output
- Smart IR 2.0 Up to 400m
- Low bitrate, Excellent low light performance
- 120dB+ WDR, 3D DNR, BLC, HLC, AGC
- Intelligent Video Analytics (IVA)
- Auto Tracking
- IP67, IK10

## Product Overview

Infinity PTZ Cameras support the latest H.265 encoding technology, bringing high efficient video compression and maintaining quality. It saves network bandwidth and storage, whilst being energy-saving design to enhance the surveillance system. The range supports Auto Tracking, Smart IR and intelligent video analytics techniques. Infinity cameras produce excellent image quality and intelligent and efficient event reminders as well as IP67 weatherproofing.

## Features

### Auto Tracking

Advanced intelligence allowing the camera to monitor and follow a detection object that poses a threat. Wherever the object moves whilst remaining in view, the camera will automatically move and zoom in to ensure the object remains in close-quarter surveillance view.

### Intelligent Video Analytics (IVA)

With built-in intelligent video analytics, the camera has the ability to detect and analyze moving objects for improved video surveillance. The camera provides optional standard intelligence at the edge allowing detection of Perimeter, Single Virtual Fences, Double Virtual Fences, Loitering, Multiple Loiterers, Objects Abandoned, Objects Removed, Abnormal Speed, Converse, Illegal Parking, Bad Signal.

### Environmental

With a temperature range of -55 °C to +60 ° the camera is designed for extreme temperature environments. Subjected and certified to rigorous dust and water immersion tests, the IP67 rating makes it suitable for demanding outdoor applications.

### Smart Encode (H.265+)

Deliver high quality video without straining the network, Smart Encode H.265+ is the optimized implementation of H.265. The Smart H.265+ encoding technology includes a scene adaptive encoding strategy, dynamic GOP, dynamic ROI, flexible multi-frame reference structure and intelligent noise reduction, providing saving of up to 70% of bandwidth and storage when compared with standard H.265.

### HEVC (H.265)

H.265 ITU-T VCEG is a new video coding standard. H.265 Following standard developed around the existing video coding standard H.264, some retain the original technology, while some of the relevant technology to improve the new technology uses advanced technology to improve the relationship between the code stream, encoding quality, and the delay between algorithm complexity, optimize settings specific contents include: Improve compression efficiency, improve the robustness and error recovery capabilities, real-time to reduce the delay, reduce channel acquisition time and a random access delay, reduce complexity.

# Technical Specification

| Camera                  |   |
|-------------------------|---|
| Image Sensor            | 1/2.8" BSI & NIR++ Progressive Scan CMOS                |
| Effective Pixels        | 1920(H)x1080(V)   |
| Scanning System         | Progressive   |
| Electronic Shutter      | 1/1-1/30000s  |
| Min. illumination       | Color:0.0001Lux@(F1.2,AGC ON) ,<br>B/W:0Lux@(IR LED ON) |
| S/N Ratio               | 55dB  |
| IR Range                | Up to 400m  |
| IR On/Off Control       | Auto/ Manual  |
| Pan/Tilt/Rotation Range | Pan: 0° ~ 360° endless, Tilt: -10° ~ +90°               |

| Lens          |   |
|---------------|---|
| Lens Type     | Motor                                       |
| Focal Length  | 4.5-180mm                                   |
| Optical Zoom  | 40x   |
| Digital Zoom  | 16x   |
| Angle of View | Horizontal 59° ~ 1.8° / Vertical 38° ~ 1.1° |
| Focus Control | Auto/Manual                                 |

| Video                |   |
|----------------------|---|
| Compression          | H.265,H.265,MJPEG   |
| Max. Resolution      | 1080P(1920x1080)  |
| Streaming Capability | Up to 5 streams   |
| Stream / Frame Rate  | Main Streams: 1920x1080/1280x720 @25/30fps<br>Sub Streams: VGA/CIF/QVGA @ 25/30fps<br>Third Stream: QVGA @ 25/30fps |
| Bit Rate Control     | CBR/VBR   |
| Bit Rate             | 64kbps~16000kbps  |
| Auto Tracking        | Support   |
| Image Enhancement    | HLC / Defog / WDR / 2D & 3D DNR / Image Stabilize / Auto & Manual Gain Control                                      |
| White Balance        | Auto/Tungsten/Fluorescent/Daylight/Shadow/Manual  |
| Smart IR             | Support Smart IR 2.0  |
| Advanced Features    | Mirror, 8x Region of Interest zones, 4x Privacy Masks, Motion Detection, 360 Presets, 8 Tours                       |

| DORI         |        |         |           |          |
|--------------|--------|---------|-----------|----------|
| Focal Length | Detect | Observe | Recognize | Identify |
| f=4.5mm      | 90m    | 38m     | 20m       | 9m       |
| f=180mm      | 3000m  | 1150m   | 550m      | 300m     |

\*environmental conditions, installation and camera positioning and other factors can affect camera performance against these figures

| PTZ and Audio   |  |
|-----------------|--|
| Preset Speed    | Pan: 240° /s, Tilt: 240° /s  |
| Manual Control  | Pan: 0.1° ~240° /s, Tilt: 0.1° ~240° /s  |
| PTZ Mode / Idle | 8 Track, 16 Tour, 16 Scan, with 8 manual speed settings, Idle: Activate Preset/ Scan/ Tour/ Track if there is no command in the specified period |
| Compression     | G.711, RAW_PCM   |
| Bit Rate        | 64Kbps (G.711), 128kbps (RAW_PCM)  |

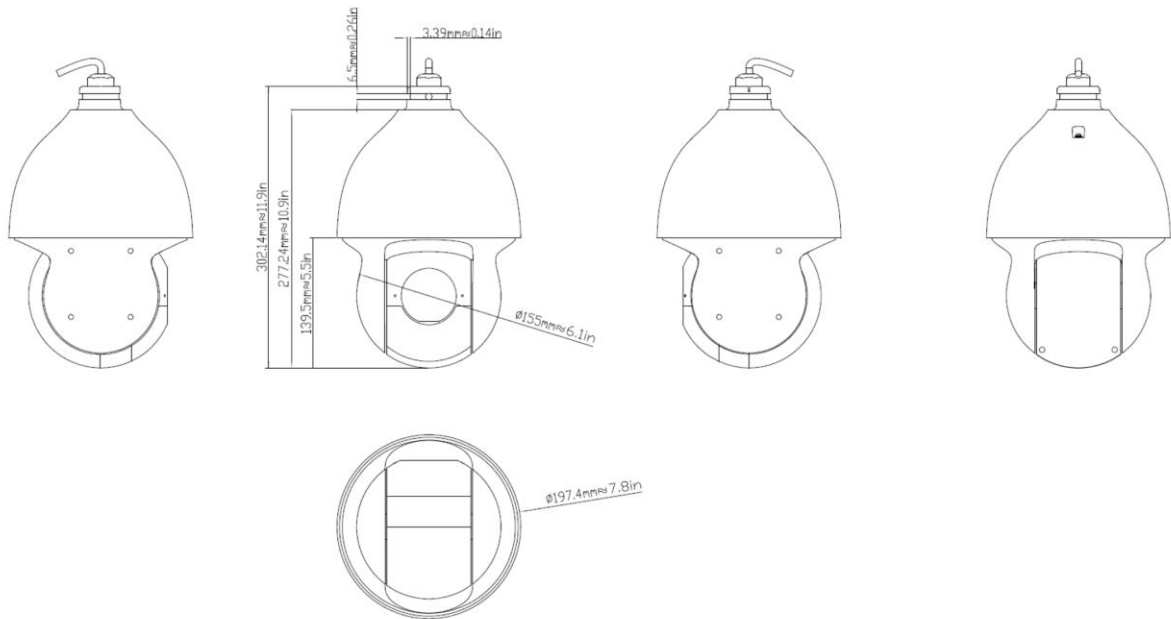
| Network             |   |
|---------------------|---|
| Protocols:          | IPv4/IPv6, 802.1x, HTTP, HTTPS, TCP/IP, UDP/IP, RTSP, DHCP, NTP, RTCP/RTP, PPPoE, SMTP, DNS, UPnP, FTP, ARP, SNMP |
| Interoperability    | ONVIF   |
| Streaming Method    | Unicast   |
| Max. User Access    | 10 Users  |
| Web Viewer          | <IE11, Chrome, Firefox  |
| Management Software | Infinity VMS Lite/VMS Free  |
| Smart Phone         | IOS, Android  |

| Intelligence |  |
|--------------|--|
| IVS          | Perimeter, Single/Double Virtual Fences, Single Loiter, Multi Loiterer, Object Abandoned, Object Removed, Facial Recognition/Capture/Comparison up to 17 Faces per second, Signal Bad, Vehicle & Traffic |
| Smart Power  | 1.5Tops Deep Learning performance  |

| Interface       |  |
|-----------------|--|
| Ethernet        | 1 Ethernet (10/100 Base-T) RJ-45 Connector |
| Audio Interface | 1x Input, 1x Output                        |
| Alarm           | 1x Input, 1x Output                        |
| RS485           | Support                                    |
| BNC Output      | Support                                    |
| Reset Button    | Support                                    |
| Storage         | NAS, Local PC, Local SDHC (Max 256GB)      |

| Electrical           |  |
|----------------------|--|
| Power Supply         | 24V DC / PoE++                         |
| Power Consumption    | 60W POE++ / 27W @ 24V DC               |
| Operating Conditions | -55°C ~ 60°C / Less than 90% RH        |
| Ingress Protection   | IP67, IK10, 6000V Lightning Protection |
| Certifications       | CE / FCC // Metal Casing               |
| Dimensions           | Φ 302x197mm                            |
| Net Weight           | 2.82Kg                                 |

## Dimensions(mm)



## Accessories

Optional:



NWP-WB  
Wall Mount



NWP-CMM  
Ceiling Mount



NWP-CM  
Corner Mount



NWP-PLM  
Pole Mount